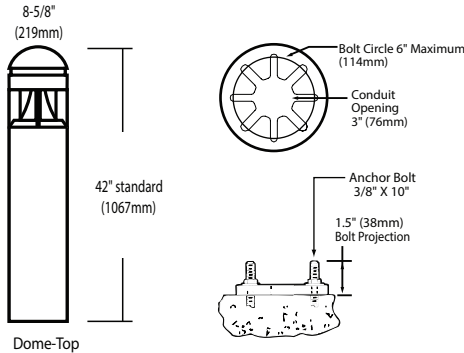




DIMENSIONS



BASE DETAIL

Note: Consult factory for base plate templates.

SPECIFICATIONS

HOUSING - Crown: Virtually tamper-proof concealed stainless steel fasteners in the cast aluminum crown assembly, with One-piece, clear acrylic lens enclosure fully gasketed at top and bottom edge. Lower Housing: One-piece, .322 inch seamless, extruded aluminum. Various heights are available in 6" increments starting at a minimum of 30" (maximum height is 60"). Lower housing attaches to cast aluminum base plate with four stainless steel roll pins. Requires four heavy-duty 3/8" x 10" galvanized steel anchor bolts. Optional roughneck reinforcement is .375" thick zinc plated, steel base plate with welded U shaped reinforcement. 3/8" diameter 302 stainless steel roll pins with 10,000 lb. shear load.

LED'S - An array of 24 select high-brightness LEDs in Cool White (5000K), Warm White (3500K) or Neutral White (4000K) color temperature, 69 CRI.

REFLECTOR/DIST - Indirect. Photometric data is tested in accordance to IESNA Procedures.

DRIVER - State-of-the-art driver technology designed specifically LSI LED light sources provides unsurpassed system efficiency. Driver complies with IEC and FCC standards.

ELECTRICAL - Universal voltage power supply (120-277 VAC, 50/60 Hz). 347-480V also available - 400mA is standard. Surge protector meets IEEE C62.41.2-2002, Scenario 1 Location Category C.

OPERATING TEMPERATURE - -40°C to +50°C (-40°F to +122°F).

FINISH - Polyester powder coat finishing process. The DuraGrip finish withstands extreme weather changes without cracking or peeling. Color-coordinated decal is available in 9 standard decal colors or by custom order from a selection of hundreds. Decal is guaranteed for five years against peeling, cracking, or fading.

WARRANTY - Limited 5-year warranty.

LISTING - Listed to U.S. and Canadian safety standards. Suitable for wet locations. DLC - not all possible distributions are DLC approved. Please refer to DLC web site for specific listings.

ARRA
Funding Compliant



ORDERING INFORMATION SELECT APPROPRIATE CHOICE FROM EACH COLUMN TO FORMULATE ORDER CODE. Refer to example below.

SERIES	TOP	DIST.	SOURCE	# OF LED	DRIVE CURRENT	COLOR TEMP.	LINE VOLTAGE	FINISH	OPTIONS	COLOR DECALS	ACCESSORY
SBRL	F - Flat R - Round	ID - Indirect	LED	24	400	CW - Cool White (5000K) NW - Neutral White (4000K) WW - Warm White (3000K)	UE - Universal (120-277V) 347 - 347V 480 - 480V	BRZ - Bronze BLK - Black PLP - Platinum Plus BUF - Buff WHT - White GPT - Graphite SVG - Satin Verde Green MSV - Metallic Silver	H - XX(Specify Height) ¹ PCI120 - Button-type Photocell, Specify voltage GFR - GFI Duplex Receptacle LAB - Less Anchor Bolt RN - Roughneck Heavy Duty Mounting Plate	45 - Light Gold 20 - Charcol Metallic 55 - Black 94 - Blue Black 59 - Dark Green 51 - Dark Red 21 - Tomato Red 50 - White 700 - Aztec Silver Metallic	ABKIT - Anchor Bolt Kit (3/8" x 10" Galvanized) HSS - Round House Side Shield
FOOTNOTES:											
1 - Taller or shorter heights available in 6" increments, Min is 30", Max is 60"											

SBRL F ID LED 24 400 WW UE BUF 55 HSS

(EXAMPLE ORDER)

**ORDER:
WLS-SBRL**

Approved By: _____ Project Name: _____

Location: _____ Date: _____

1919 Windsor Place | Fort Worth, TX 76110 | 800.633.8711 | Fax: 817.735.4824 | www.wlsighting.com

WLS LIGHTING SYSTEMS

Consider the Impact!