

## 748 SERIES HORIZONTAL/VERTICAL LAMP CONTOURED/FLAT GLASS LENS

### SPECIFICATIONS

**HOUSING** - The 748 Series decorative housing is fabricated of heavy-duty spun and cast aluminum and nished to produce a clean, sharp appearance. This one-piece design ensures weather-tight construction. The bottom access cover provides ease of installation and servicing.

**LENS AND FRAME** - Lenses are impact resistant tempered glass. A at glass lens is standard for the vertical lamp. Lens is sealed to the housing with a poron gasket to a one-piece lens frame.

**FINISH** - Fixtures are nished with a thermoset baked on polyester powder nishing process to give the xture an exceptionally attractive appearance. The polyester nish withstands extreme weather change without cracking or peeling. Available in bronze, black, platinum, buff, white, and green. Custom colors available upon request.

**REFLECTORS / DISTRIBUTION PATTERNS** - Equipped with a polished aluminum segmented reector available in four distribution patterns. Vertical and horizontal burn lamps. Type II (2), Type III (3), Type V (5), and Perimeter Forward Throw (FP).

**LIGHT SOURCES** - Designed to operate with Pulse Start Metal Halide, Full Spectrum, Metal Halide, Super Metal Halide, Metal Halide Reduced Envelope, and High Pressure Sodium.

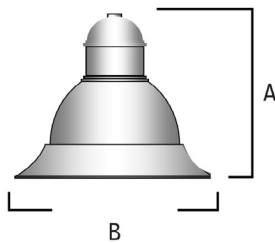
**SOCKETS** - Porcelain mogul base sockets feature spring-reinforced contacts. Rated to 600V.

**BALLAST** - CWA or HPF regulating auto transformers. Available in Metal Halide or High Pressure Sodium. Starting temperature is -20° F for Metal Halide, Pulse Start Metal Halide, Super Metal Halide, and Natural White®. -40° F starting temperature for High Pressure Sodium. Maximum wattage is 1000W.

**ARMS** - WLS oers a large selection of aluminum decorative arms available for this unit. Two of the most popular are the A23 and A24 (on left). Please consult with your sales executive for other options.

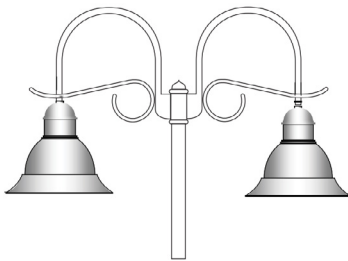


### DIMENSIONS

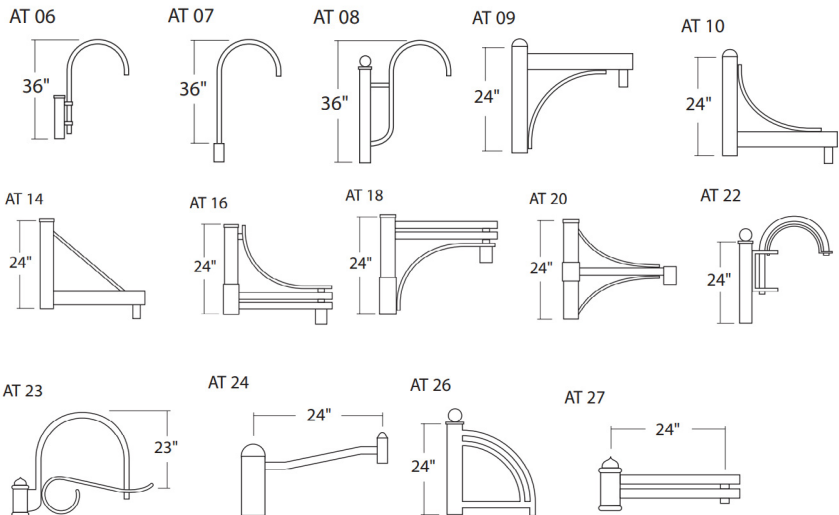


	A	B	EPA
748-S	22"	24 1/2"	2.1
748-M	22"	30"	2.6

### TWIN MOUNTED OPTIONS



### DECORATIVE ARMS



Made in the U.S.A. of the U.S. and imported parts.  
Meets Buy American requirements for ARRA.

Project Name: \_\_\_\_\_

Date: \_\_\_\_\_

Location: \_\_\_\_\_

Notes: \_\_\_\_\_

# 748 SERIES HORIZONTAL/VERTICAL LAMP

## CONTOURED/FLAT GLASS LENS

### ORDERING INFORMATION SELECT APPROPRIATE CHOICE FROM EACH COLUMN TO FORMULATE ORDER CODE.

Refer to example below.

SERIES	ARM STYLE	DISTRIBUTION	LAMP WATTAGE	LIGHT SOURCE	LENS	LINE VOLTAGE <sup>2</sup>	LUMINAIRE FINISH	OPTIONS
748-S	AT06	2 Type II 3 Type III 5 Type V FP Perimeter Forward Throw	100W	PSMH Pulse Start Metal Halide	FG Flat Glass CT Contoured Glass	480V MT <sup>3</sup> Multi Tap TT <sup>4</sup> Tri-Tap	BRZ Bronze BLK Black PLT Platinum BUF Buff WHT White GRN Green CC Custom Color	LL Less Lamp GS Glare Shield VL Vertical Lamp BKT-WM Wall Mount Plate QR Quartz Restrike SF Single Fusing DF Double Fusing PC Photocell NO No Options
	AT07		175W	HPS High Pressure Sodium				
	AT08		250W					
	AT09		400W					
748-M	AT10		250W	FS Full Spectrum				
	AT14		320W					
	AT16		350W					
	AT18		400W					
	AT20		575W	PSMH Pulse Start Metal Halide				
	AT22		750W <sup>1</sup>					
AT23	875W							
	AT24	1000W		HPS High Pressure Sodium				
	AT26			MHR Metal Halide Reduced Envelope				
	AT27			MH Metal Halide				
				SMH Super Metal Halide				
			775W	PSMH Pulse Start Metal Halide				
				FS Full Spectrum				

### ORDER:

WLS-748-								
----------	--	--	--	--	--	--	--	--

Example: WLS-748-M-AT23-5-1000-PSMH-FG-MT-BRZ-NO

### FOOTNOTES:

- 1 - Voltage for 750W High Pressure Sodium must be specified.
- 2 - Consult factory for international voltages. (120V, 277V, 347V)
- 3 - MT - Multi Tap is shipped standard unless otherwise specified. (Multi Tap consists of 120V, 208V, 240V, and 277V. Multi Tap is pre-wired for highest voltage. Alternate voltages will require eld re-wiring.
- 4 - TT - Tri-Tap consists of 120V, 277V, and 347V. Tri-Tap is pre-wired for highest voltage. Alternate voltages will require eld re-wiring.

\* In accordance with the 2007 Energy Independence and Security Act (EISA), xtures will no longer be available in Probe Start Metal Halide with wattages from 150 watts through 500 watts for new installations. Replacement parts for existing xtures are still available.



1919 Windsor Place  
Fort Worth, TX 76110  
800.622.8711

www.wslighting.com

Project Name: \_\_\_\_\_

Date: \_\_\_\_\_

Location: \_\_\_\_\_

Notes: \_\_\_\_\_

02, 03 REV. 9/17

Specifications subject to change without notice.