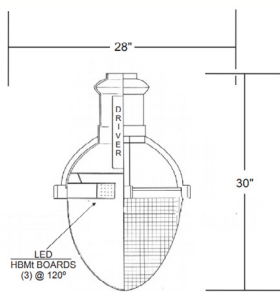


900L SERIES LED DECORATIVE

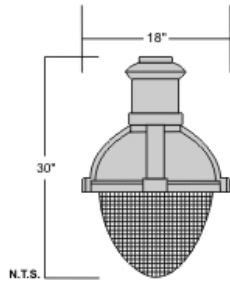


DIMENSIONS

With Shade



Without Shade



SPECIFICATIONS

HOUSING - Heavy wall cast aluminum Luminaire is shipped complete and ready to install.

OPTICS - High impact resistant, clear or prismatic acrylic lens.

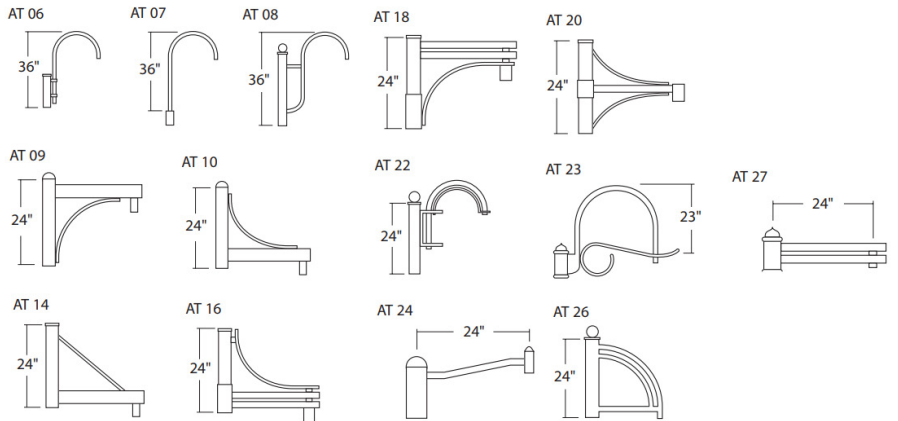
ARM - Multiple arm options below. Custom Arm and mounting options available.

DRIVER - Xitanium Electronic LED Driver. LEDs are 50,000 hour rated.

WARRANTY - Five year limited warranty. Luminaire is designed for wet locations.

FINISH - Polyester powder fuse coating.

ARM OPTIONS



Made in the U.S.A. of the U.S. and imported parts.
Meets Buy American requirements for ARRA.

Project Name: _____

Date: _____

Location: _____

Notes: _____

900L SERIES LED DECORATIVE

ORDERING INFORMATION SELECT APPROPRIATE CHOICE FROM EACH COLUMN TO FORMULATE ORDER CODE.
Refer to example below.

SERIES	WATTAGE	COLOR TEMPERATURE ¹	VOLTAGE	OPTIC	LENS	MOUNTING	FINISH	ARM OPTIONS
900L No Shade 900L-S Shade	50 50 Watt 64 64 Watt 80 80 Watt 100 100 Watt 150 150 Watt	30K 3000K 35K 3500K 41K 4100K 50K 5000K	SMT 120V/277V 480 480V	2 Type II 3² Type III 4 Type IV 5² Type V	CL Clear RF Refractive FL Flat Lens FR Frosted	PT Post Top PEN Pendant Mount 2 Twin 3 Triple 4 Quad WM Wall Mount	BRZ Bronze BLK Black PLT Platinum BUF Buff WHT White GRN Green CC Custom Color	AT 06 AT 07 AT 08 AT 09 AT 10 AT 14 AT 16 AT 22 AT 23 AT 24 AT 26 AT 27

ORDER:

WLS-900L								
-----------------	--	--	--	--	--	--	--	--

Example: WLS-900L-S-64-41K-SMT-5-CL-PT-BRZ-AT06

FOOTNOTES:

- 1 Other CCT available upon request
- 2 Available in prismatic acrylic lens



1919 Windsor Place
Fort Worth, TX 76110
800.622.8711

www.wslighting.com

Project Name: _____

Date: _____

Location: _____

Notes: _____

02, 03 REV. 9/17

Specifications subject to change without notice.