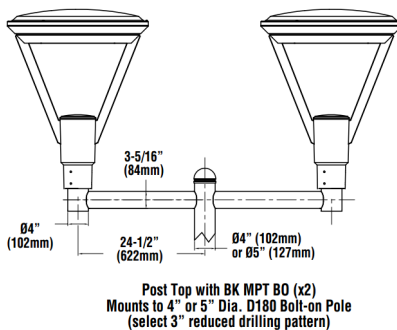
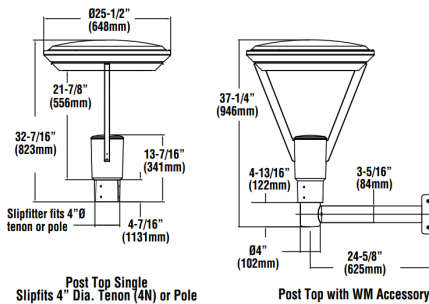


## CNL SERIES FLAT GLASS LED



### DIMENSIONS



#### SHIPPING WEIGHTS - CNL

Catalog Number	Est. Weight (kg/lbs.)
CNL	20.4/45



Made in the U.S.A. of the U.S. and imported parts. Meets Buy American requirements for ARRA.

### SPECIFICATIONS

#### Optical System

- State-of-the-Art one piece silicone optic sheet delivers industry leading optical control with an integrated gasket to provide IP66 rated sealed optical chamber in 1 component.
- Proprietary silicone refractor optics provide exceptional coverage and uniformity in IES Types 2, 3, 5W and FT.
- Silicone optical material does not yellow or crack with age and provides a minimum light transmittance of 93%.
- Optical distributions are field rotatable (in 90° increments).
- Available in 5000K, 4000K, and 3000K (+/- 275K) color temperatures.
- Minimum CRI of 70. Consult Factory for Higher CRI requirements.
- Integral Louver (IL) option available for improved back-light control without sacrificing street side performance.

#### Electrical

- High-performance driver features over-voltage, under-voltage, short-circuit and over temperature protection.
- 0-10V dimming (10% - 100%) standard.
- Standard Universal Voltage (120-277 Vac) Input 50/60 Hz or optional High Voltage (347-480 Vac).
- L70 Calculated Life: >100k Hours (See Lumen Maintenance on Page 2)
- Total harmonic distortion: <20%
- Operating temperature: -40°C to +50°C (-40°F to +122°F)
- Power factor: >.90
- Input power stays constant over life.
- Field replaceable surge protection device meets a minimum Category C Low operation (per ANSI/IEEE C62.41.2).
- High-efficacy LEDs mounted to metal-core circuit board to maximize heat dissipation
- Terminal block provided accepts up to 10ga wire, however the luminaire is supplied with a 32' 3 conductor wire harness.
- Components are fully encased in potting material for moisture resistance. Driver complies with FCC standards. Driver and key electronic components can easily be accessed.

#### Construction

- Rugged die-cast aluminum housing.
- Cast aluminum wiring access door located in lower hub/fitter.
- Rigid die-cast aluminum arms for consistency and strength.
- Precision die cast aluminum heatsink and optical frame.
- Removable spun aluminum cap/driver enclosure is retained by captive stainless steel fasteners and safety cables. Housing and top cap interface is sealed with a one-piece extruded silicone gasket. Tool-less entry option is available.
- All exposed fasteners are black oxide coated stainless steel. Internal fasteners are stainless steel or zinc electroplated steel.
- Luminaire is proudly made in the U.S.
- IP65 rated luminaire protects integral components from harsh environments.
- 1.5G rated for ANSI C136.31 high vibration applications
- Fixtures are finished with WLS's DuraGrip® polyester powder coat finishing process. The DuraGrip finish withstands extreme weather changes without cracking or peeling. Other standard WLS finishes available. Consult a WLS sales representative.
- Shipping weight: 45 lbs in carton.

#### Controls

- Optional integral passive infrared motion and daylight sensor activates switching of luminaire light levels.
- 7-pin ANSI C136.41-2013 photocontrol receptacle option available for twist lock photocontrols or wireless control modules.

#### Installation

- Mounts to 4" O.D. pole or tenon.
- Secures to pole with 6 stainless steel set screws.
- 32' wire leads are provided bundled in the slip fitter hub for ease of wiring.

#### Warranty

- WLS LED Fixtures carry a 5-year warranty.

#### Listings

- Listed to UL 1598 and UL 8750.
- RoHS Compliant.
- State of California Title 24.
- DesignLights Consortium® (DLC) qualified product. Not all versions of this product may be DLC qualified.
- American Recovery and Reinvestment Act Funding Compliant.
- Lighting Facts Approved.
- Suitable For wet Locations.
- IP65 rated Luminaire. IP66 rated optical chamber.
- 1.5G rated for ANSI C136.31 high vibration applications



Project Name: \_\_\_\_\_

Date: \_\_\_\_\_

Location: \_\_\_\_\_

Notes: \_\_\_\_\_

# CNL SERIES FLAT GLASS LED

## ORDERING INFORMATION SELECT APPROPRIATE CHOICE FROM EACH COLUMN TO FORMULATE ORDER CODE.

Refer to example below.

SERIES	DISTIBUTION	LIGHT SOURCE	LUMENS	COLOR TEPERATURE	VOLTAGE	LUMINAIRE FINISH	OPTIONS	ACCESSORIES
<b>CNL</b>	<b>2</b> Type II <b>3</b> Type III <b>5W</b> Type 5 Wide <b>FT</b> Forward Throw (Type IV)	<b>LED</b>	<b>10L</b> 10,000 Lumens <b>18L</b> 18,000 Lumens <b>25L</b> 25,000 Lumens	<b>50</b> 5000K <b>40</b> 4000K <b>30</b> 3000K	<b>UE</b> Universal Voltage (120-277v) <b>HV</b> High Voltage (347-480v)	<b>BRZ</b> Bronze <b>BLK</b> Black <b>GPT</b> Graphite <b>MSV</b> Metallic Silver <b>WHT</b> White <b>PLP</b> Platinum Plus <b>SVG</b> Satin Verde Green <b>CC<sup>3</sup></b> Custom Color	<b>Stand-Alone Control</b> (Blank) - None <b>IMS<sup>2</sup></b> Integral Motion Sensor	<b>PCR 7P<sup>1</sup></b> Photoelectric Control Receptacle <b>IL</b> Integral Louver Shield <b>TE</b> Toolless Access
<b>ORDER:</b>								
<b>WLS-CNL</b>		<b>LED</b>						

Example: WLS-CNL-5W-LED-18L-40-HV-BLK-IMS-IL

### FOOTNOTES:

- 1 Photocell must be ordered separately.
- 2 Consists of a daylight & motion dual sensor. Light levels are field adjustable via a handheld remote configurator tool. Not available PCR 7P.
- 3 Contact your sales professional for details

### PERFORMANCE

Lumens	Distribution Type	3000K			4000K			5000K			Wattage
		Delivered Lumens	Efficacy	BUG Rating	Delivered Lumens	Efficacy	BUG Rating	Delivered Lumens	Efficacy	BUG Rating	
10L	2	8,879	118	B3-U2-G3	9,578	128	B3-U2-G3	9,634	128	B3-U2-G3	75
	3	9,312	124	B2-U2-G3	10,045	134	B2-U2-G3	10,187	136	B2-U2-G3	75
	FT	9,066	121	B3-U2-G3	9,780	130	B3-U2-G3	9,847	131	B3-U2-G3	75
	5W	8,921	119	B4-U2-G2	9,624	128	B4-U2-G2	9,771	130	B4-U2-G2	75
18L	2	16,620	107	B3-U2-G3	17,929	114	B4-U2-G4	18,108	117	B4-U2-G4	155
	3	17,475	113	B3-U2-G3	18,851	122	B3-U2-G4	18,982	122	B3-U2-G3	155
	FT	17,042	110	B4-U2-G2	18,384	119	B3-U2-G4	18,738	121	B3-U2-G4	155
	5W	17,241	111	B3-U2-G3	18,599	120	B4-U2-G2	18,606	120	B3-U2-G3	155
25L	2	22,583	95	B4-U2-G3	24,361	103	B4-U2-G3	24,546	104	B4-U2-G3	237
	3	23,660	100	B3-U2-G4	25,523	108	B3-U2-G4	25,834	109	B3-U2-G4	237
	FT	23,217	98	B3-U2-G4	25,045	106	B3-U2-G4	25,449	107	B3-U2-G4	237
	5W	22,687	96	B5-U2-G3	24,474	103	B5-U2-G3	24,905	105	B5-U2-G4	237

### LUMINAIRE EPA CHART - CNL Series

	MOUNTING STYLE	EPA
■ PT Single	PT	1.0
■ ■ ■ PT D180 <sup>1</sup> with BK MPT BO (2)	PT	2.0

### ELECTRICAL DATA\*

Lumens	120V	208V	240V	277V	347V	480V	Watts
10L	0.63	0.36	0.31	0.27	0.22	0.16	75
18L	1.29A	0.75A	0.65A	0.56A	0.45A	0.32A	155
25L	1.98A	1.14A	0.99A	0.86A	0.68A	0.49A	237

\* Electrical data at 25C (77F). Actual wattage may differ by +/-10%.



1919 Windsor Place  
Fort Worth, TX 76110  
800.622.8711

www.wslighting.com

Project Name: \_\_\_\_\_

Date: \_\_\_\_\_

Location: \_\_\_\_\_

Notes: \_\_\_\_\_

01 REV. 01/19

Specifications subject to change without notice.