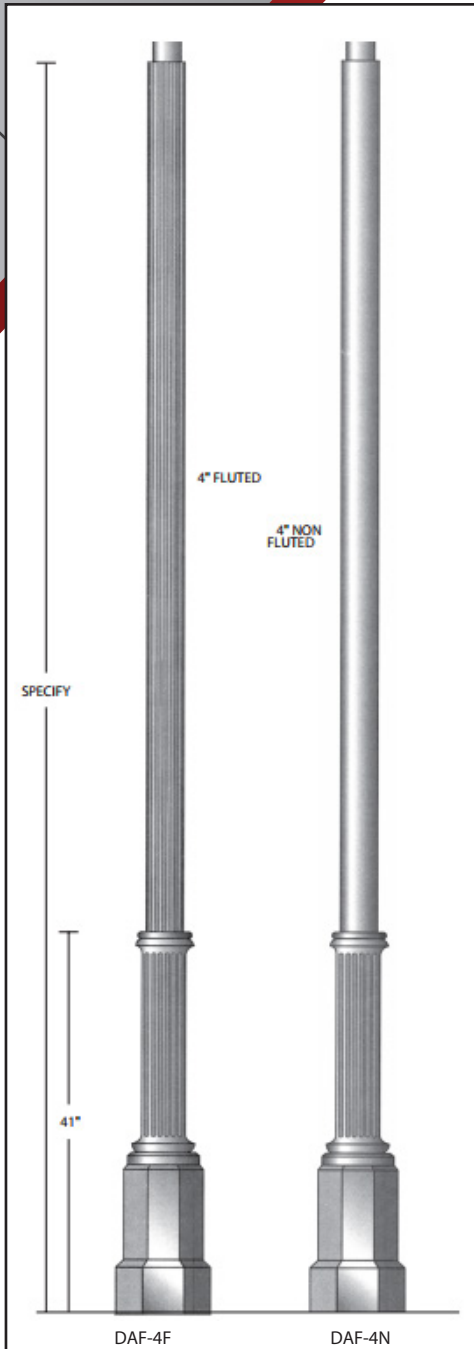


## DAF SERIES

### SPECIFICATIONS

#### CONSTRUCTION

Durable corrosion resistant cast aluminum base with hand hole and cover. The pole measures 4" diameter X 1/8" wall thickness, extruded 6063-T6 aluminum alloy.



### ORDERING INFORMATION

SELECT APPROPRIATE CHOICE FROM EACH COLUMN TO FORMULATE ORDER CODE.

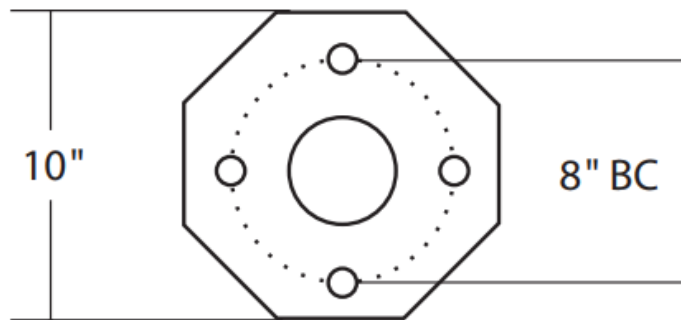
Refer to example below.

SERIES	POLE HEIGHT	FINISH
DAF-4F DAF-4N	8 8' 10 10' 12 12' 14 14' 16 16' 18 18'	BRZ Bronze BLK Black PLT Platinum BUF Buff WHT White GRN Green CC Custom Color

#### ORDER:

WLS-DAF-4

Example: WLS-DAF-4F-9-PLT



Bolt circle pattern subject to change. Please consult factory for specific anchor bolt template.



Made in the U.S.A. of the U.S. and imported parts. Meets Buy American requirements for ARRA.

Project Name: \_\_\_\_\_

Date: \_\_\_\_\_

Location: \_\_\_\_\_

Notes: \_\_\_\_\_