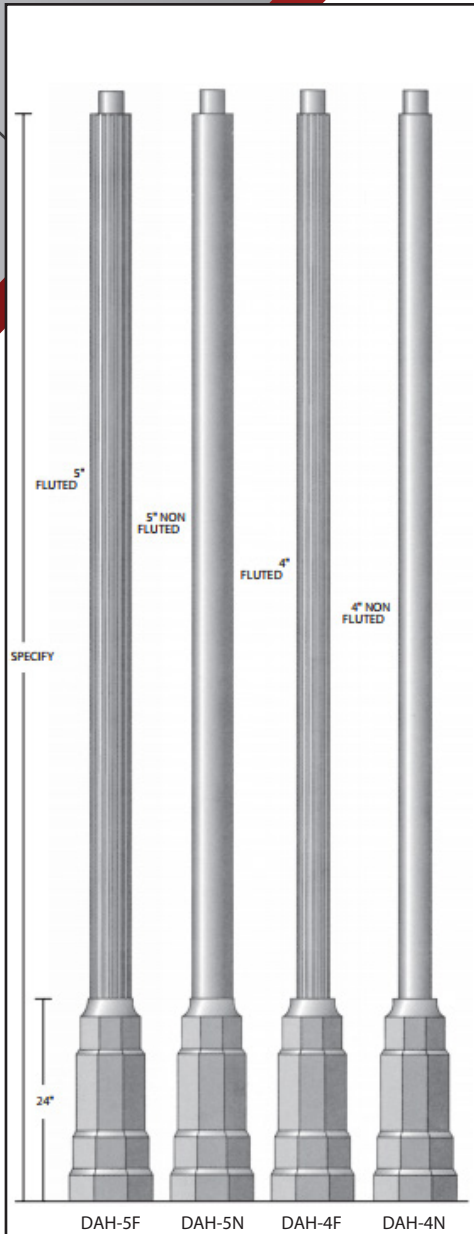


DAH SERIES

SPECIFICATIONS

CONSTRUCTION

Durable corrosion resistant cast aluminum base with hand hole and cover. The pole measures 4" or 5" diameter X 1/8" wall thickness, extruded 6063-T6 aluminum alloy.



ORDERING INFORMATION

SELECT APPROPRIATE CHOICE FROM EACH COLUMN TO FORMULATE ORDER CODE.

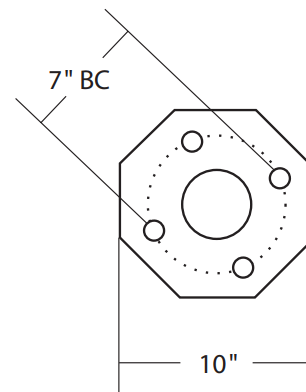
Refer to example below.

SERIES	POLE HEIGHT	FINISH
DAH-4F	8 8'	BRZ Bronze
DAH-4N	10 10'	BLK Black
DAH-5F	12 12'	PLT Platinum
DAH-5N	14 14'	BUF Buff
	16 16'	WHT White
	18 18'	GRN Green
	20 20'	CC Custom Color

ORDER:

WLS-DAH-

Example: WLS-DAH-5N-12-BLK



Bolt circle pattern subject to change. Please consult factory for specific anchor bolt template.



Made in the U.S.A. of the U.S. and imported parts. Meets Buy American requirements for ARRA.

Project Name: _____

Date: _____

Location: _____

Notes: _____