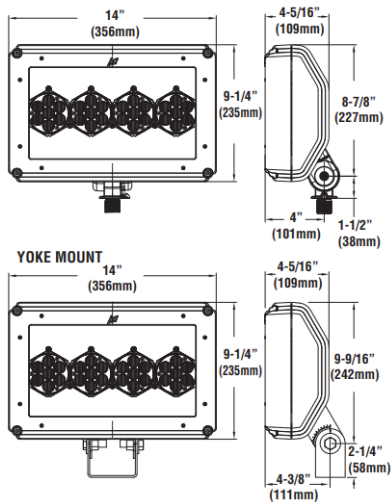


FML SERIES LED FLOOD



DIMENSIONS



EPA 1.1

SPECIFICATIONS

HOUSING

Architecturally styled, one-piece, die-cast aluminum, 360 alloy, low copper housing with .156" nominal wall thickness. One-piece vulcanized silicone gasket seals the door frame to the housing and is concealed when fixture is closed.

DOOR FRAME

One-piece, die-cast aluminum, 360 alloy, low copper, .156" nominal wall thickness door frame secures to housing via four, stainless steel recessed captive torx T-30 screws. 3/16" thick clear tempered glass lens is sealed to door frame by a one-piece silicone gasket and ten black zinc plated clips.

EXPECTED LIFE

Minimum 60,000 to 100,000 hours depending upon the ambient temperature of the installation location.

LEDS

Features an array of select, high brightness, high efficiency LED chips; CW - 5000K color temperature, 70 CRI or NW - 4000K color temperature, 80 CRI or WW - 3500K color temperature, 80 CRI.

OPTICS / DISTRIBUTION

Choice of 6 high performance distributions; HF, VF, MF, NF, WF, or SP.

PRESSURE STABILIZING VENT

Luminaire assembly incorporates a pressure stabilizing vent breather to prevent seal fatigue and failure.

DRIVER

Driver components are fully encased in potting for moisture resistance. Complies with IEC and FCC standards. Optional 0-10V dimming driver available, with controls by others.

OPERATING TEMPERATURE

-40°C to 40°C (-40°F to +104°F)

ELECTRICAL

Universal voltage power supply, 120-277 VAC (50/60 HZ input) and 347-480 VAC. Drivers feature two-stage surge protection (including separate surge protection built into electronic driver) meets IEEE C62.41.2-2002, Scenario 1, Location Category C, 10KV

MOUNTING

Standard mount is a heavy duty die cast knuckle assembly with 3/4-14 NPS male threaded arm that provides 185° range of motion. Knuckle locking plate teeth and arm allow for tilt / aiming in 7.5° increments. Aiming angle markings in 15° increments allow reliable error free aiming. Standard knuckle mount tested to withstand up to 3G vibration load rating per ANSI C136.31. Optional YM- Yoke Mount is also available. Mounting accessories include Stanchion Mount, Post-Top Adapter, Junction Box, & Wall Mount for recessed or surface mount applications.

SHIPPING WEIGHT

18 pounds.

FINISH

Fixtures are finished with WLS's DuraGrip® polyester powder coat finishing process. The DuraGrip finish withstands extreme weather changes without cracking or peeling.

WARRANTY

WLS LED fixtures carry a limited 5-year warranty.

LISTING

UL listed to UL 1598, UL 8750 and other U.S. and International safety standards. Suitable for wet locations. For a list of the specific products in this series that are DLC listed, please consult the LED Lighting section of our website or the Design Lights website at www.designlights.org.



IP66



Made in the U.S.A. of the U.S. and imported parts.
Meets Buy American requirements for ARRA.

Project Name: _____
 Date: _____
 Location: _____
 Notes: _____

FML SERIES LED FLOOD

ORDERING INFORMATION SELECT APPROPRIATE CHOICE FROM EACH COLUMN TO FORMULATE ORDER CODE.

Refer to example below.

SERIES	DISTRIBUTION	LIGHT SOURCE	# OF LEDs	DRIVE CURRENT	COLOR TEMPERATURE	LINE VOLTAGE	LUMINAIRE FINISH	OPTIONS
FML	HF Horizontal Flood MF Medium Flood VF Vertical Flood SP Spot NF Narrow Flood WF Wide Flood	LED	28 49	HO High Output	CW Cool White (5000K) NW Neutral White (4000K) WW Warm White (3000K)	UE Universal Voltage (120-277v) 347-480 Univ Voltage (347-480v)	BRZ Bronze BLK Black PLP Platinum Plus WHT White SVG Satin Verde Green GPT Graphite MSV Metallic Silver	YM Yoke Mount PC¹ Button-Type Photocell DIM 0-10V Dimming NO No Options

ORDER:

WLS-FML		LED		HO				
----------------	--	------------	--	-----------	--	--	--	--

Example: WLS-FML-MF-LED-49-HO-NW-UE-BRZ-NO

FOOTNOTES:

1 PC option not available in 480V

BRACKET ORDERING INFORMATION SELECT APPROPRIATE CHOICE FROM EACH COLUMN TO FORMULATE ORDER CODE.

Refer to example below.

BRACKET DESIGNATION	BRACKET TYPE	BRACKET CONFIGURATION	LENGTH	BRACKET FINISH	OPTIONS	EST. WEIGHT (lbs.)
BKA Bracket Aluminum	FML	SMC Stanchion Mount	23 23"	BRZ Bronze None BLK Black PLP Platinum Plus WHT White SVG Satin Verde Green GPT Graphite MSV Metallic Silver CC Custom Color	None	7
		J4R Wall Mount J4R WM SCE Wall Mount Side Conduit Entry	4 4"			2

ORDER:

WLS-BKA	FML					
----------------	------------	--	--	--	--	--

Example: WLS-BKA-FML-SMC-23-BLK

Catalog Number	NEMA Type	Field Angle		Beam Angle		Max CD	Lumens	Watts	LPW
		H	V	H	V				
FML-HF-LED-49-HO-CW-UE	5H X 3V	77	36	54	16	19,801	6,584	64	103
FML-MF-LED-49-HO-CW-UE	4H X 4V	60	60	33	32	16,753	6,573	64	103
FML-WF-LED-49-HO-CW-UE	5H X 5V	73	72	44	44	9,912	5,744	64	90
FML-VF-LED-49-HO-CW-UE	3H X 5V	38	77	18	53	18,627	6,548	64	102
FML-NF-LED-49-HO-CW-UE	4H X 4V	48	47	24	23	24,681	6,298	64	98
FML-SP-LED-49-HO-CW-UE	3H X 3V	36	34	17	15	51,976	6,986	64	109
FML-HF-LED-28-HO-CW-UE	5H X 3V	77	35	54	16	11,456	3,717	36	103
FML-MF-LED-28-HO-CW-UE	4H X 4V	60	60	33	32	9,650	3,732	36	104
FML-WF-LED-28-HO-CW-UE	5H X 5V	74	74	45	44	5,572	3,407	36	95
FML-VF-LED-28-HO-CW-UE	3H X 5V	36	76	17	53	11,181	3,678	36	102
FFML-NF-LED-28-HO-CW-UE	4H X 3V	48	46	24	23	15,904	4,149	36	115
FML-SP-LED-28-HO-CW-UE	3H X 3V	35	34	17	16	34,100	4,501	36	125



1919 Windsor Place
Fort Worth, TX 76110
800.622.8711

www.wslighting.com

Project Name: _____

Date: _____

Location: _____

Notes: _____

01 REV. 01/19

Specifications subject to change without notice.