

LSLM SERIES LED FLAT GLASS LENS

SPECIFICATIONS

CROWN - Cast aluminum. Wiring emerges from crown through compression seal fitting to prevent water entry. One-piece silicone gasket seals crown to shade for water- and dusttight construction.

SHADES - Spun aluminum. Two shade styles available - A - Angle and B - Bell.

OPTICAL UNIT - Optical unit and aluminum door frame recessed into shade and sealed with one-piece silicone gasket. Clear tempered flat glass lens sealed with silicone gasket to door frame (includes pressure-stabilizing breather). Optical unit is tethered and provides access to driver. Door frame retaining fasteners are captive.

MOUNTING - Classic Hook (CH), Side Arm (SA - 4" O.D. minimum pole top required), Wall Mount (W - for use with CH or SA style), Universal Pole Clamp (UCL) available. See Steel Round Pole and Aluminum Round Pole data sheets for pole selection information. Side Arm pole mount requires 3" reduced drilling pattern. Classic hook mount requires a 4" O.D. pole or tenon.

BRACKETS - Brackets are extruded and cast aluminum assemblies or fabrications. All decorative elements are die cast or extruded aluminum.

LEDS - Select high-brightness LEDs in Cool White (5000K) or Neutral White (4000K) or Warm White (3500K) color temperature, 70 CRI CW, 80 CRI NW and WW.

OPERATING TEMPERATURE - -40°C to +50°C (-40°F to +122°F).

FINISH - Each fixture is finished with WLS's DuraGrip polyester powder coat process. The DuraGrip finish withstands extreme weather changes without cracking or peeling.

DISTRIBUTION PATTERNS - Types 3, FP and 5. Exceptional uniformity creates bright environment at lower light levels. Improved backlight cutoff minimizes light trespass.

ELECTRICAL - Two-stage surge protection (including separate surge protection built into electronic driver) meets IEEE C62.41.2-2002, Location Category C. Available with universal voltage power supply 120-277VAC (UE - 50/60Hz input), and 347-480 VAC. Optional button-type photocells (PCI) are available in 120, 208, 240, 277 or 347 volt (supply voltage must be specified).

DRIVERS - Available in SS (Super Saver) and HO (High Output) drive currents (Drive currents are factory programmed.). Components are fully encased in potting material for moisture resistance. Driver complies with FCC standards. Driver and key electronic components can easily be accessed.

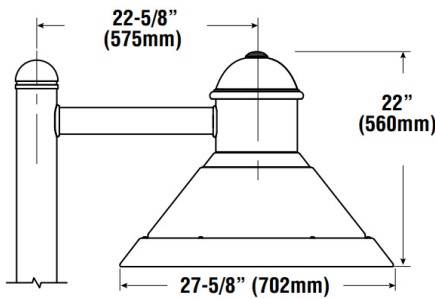
ENERGY SAVING CONTROL OPTION - DIM - 0-10 volt dimming enabled with controls by others. BLS - Bi-level switching responds to external line voltage signal from separate 120-277V controller or sensor (by others), with low light level decreased to 30% maximum drive current.

WARRANTY - WLS LED fixtures carry a limited 5-year warranty.

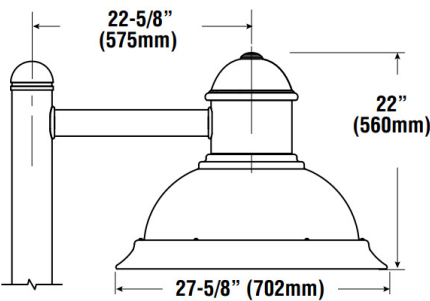
LISTINGS - UL listed to U.S. and Canadian safety standards. Suitable for wet locations.



DIMENSIONS



SIDE ARM (SA4 S) - ANGLE SHADE



SIDE ARM (SA4 S) - BELL SHADE



Made in the U.S.A. of the U.S. and imported parts.
Meets Buy American requirements for ARRA.

Project Name: _____

Date: _____

Location: _____

Notes: _____

L^SL^M SERIES LED FLAT GLASS LENS

ORDERING INFORMATION SELECT APPROPRIATE CHOICE FROM EACH COLUMN TO FORMULATE ORDER CODE.

Refer to example below.

SERIES	DISTRIBUTION	LIGHT SOURCE	DRIVE CURRENT	COLOR TEMPERATURE	LINE VOLTAGE	LUMINAIRE FINISH	MOUNTING STYLE	MOUNTING CONFIGURATION	ACCESSORIES
L^SL^M-A¹ Angled Shade L^SL^M-B¹ Bell Shade	3 - Type III 5 - Type V FT - Forward Throw	LED	SS - Super Saver HO - High Output	CW - Cool White (5000K) NW - Neutral White (4000K) WW - Warm White (3500K)	UE - Universal Electronic (120-277V) UW - Universal Voltage (347-480V)	BLK - Black BRZ - Bronze WHT - White GPT - Graphite MSV - Metallic Silver PLP - Platinum Plus SVG - Satin Verde Green	CH - Classic Hook SA4 - Side Arm Mount for 4" O.D. Round Poles ³ SA5 - Side Arm Mount for 5" O.D. Round Poles ³ UCL4 - Universal Pole Clamp for 4" O.D. Round Poles UCL5 - Universal Pole Clamp for 5" O.D. Round Poles	S - Single D180 - Double D90 - Double ⁴ T90 - Triple ⁴ TN120 - Triple ⁴ Q90 - Quad ⁴ W - Wall Mount	PC - Photocell (Specify Voltage) FK - Single Fusing (Specify Voltage) ⁵ DFK - Double Fusing (Specify Voltage) ⁵ DIM - 0-10 Volt Dimming (from external signal) ⁵ BLS - Bi-level Switching (from external 120-277V signal) ⁵ NA - No Accessories

ORDER:







WLS-L^SL^M-		LED							
--	--	------------	--	--	--	--	--	--	--

Example: WLS-L^SL^M-A-5-LED-HO-CW-UE-BRZ-CH-S-NA

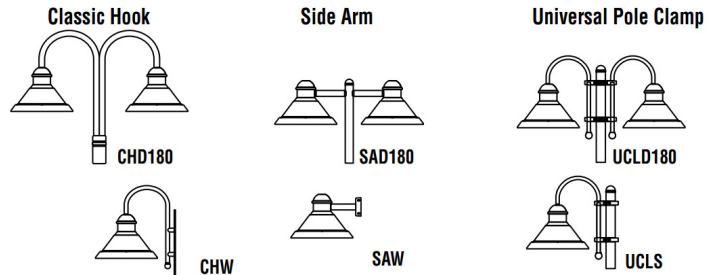
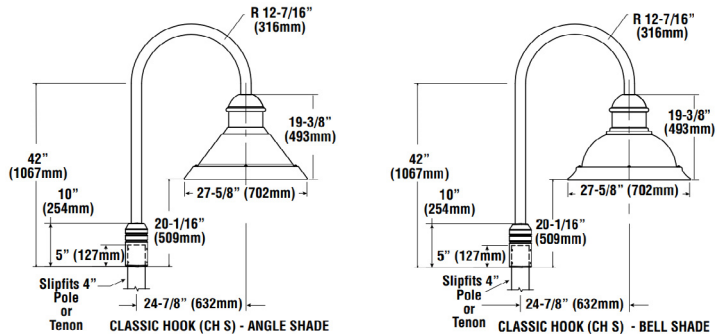
FOOTNOTES:

1- When ordering a multiple configuration (D180, etc.) order one fixture/bracket configuration per pole - i.e. order one XDLM B 3 LED SS CW UE BLK CH D180 PCI120 to receive two fixtures and one CH D180 bracket (see drawing on this page). See STEEL ROUND POLES and ALUMINUM ROUND POLES data sheets for pole ordering information.

2- See Lifestyle Bracket ordering chart for Mounting Style/Configurations availability.
3- 3" reduced drilling pattern required.
4- For use with SA4 and SA5 mounting styles only.
5- DIM and BLS cannot be ordered together.
6- Fusing must be located in the hand hole of pole.

	Single	1.8
	D180°	3.1
	D90°	2.7
	T90°	4.0
	TN120°	4.0
	Q90°	4.9

Note: Includes Bracket.



1919 Windsor Place
Fort Worth, TX 76110
800.622.8711

www.wslighting.com

Project Name: _____
Date: _____
Location: _____
Notes: _____