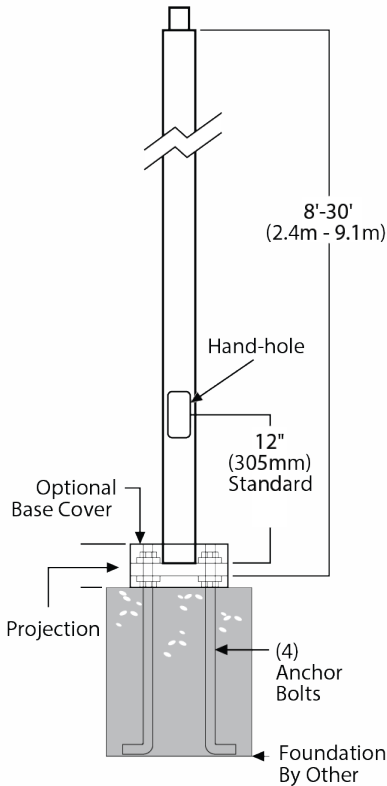


RNTS SERIES ROUND NON-TAPERED STEEL

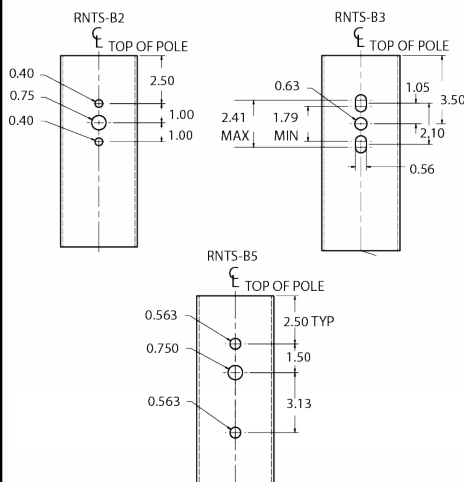
RNTS –
 N = 2-3/8"(60mm) O.D. x 4-3/4"(121mm) Tenon
 4N = 4"(102mm) O.D. x 4-7/8"(124mm) Tenon
 4N6 = 4"(102mm) O.D. x 6-3/8"(162mm) Tenon



SF –
Single Flood
Pole Preparation



Bolt-On Mount 2-Bolt Pattern



SPECIFICATIONS

POLE SHAFT

- Steel round poles are 4" or 5" in diameter.
- Pole shaft is electro-welded ASTM-A500 Grade C steel tubing with a minimum yield strength of 46,000 PSI.
- On Tenon Mount steel poles, tenon is high-strength pipe. Tenon N option is 2-3/8" O.D. x 4-3/4" tall. Tenon 4N option is 4" O.D. x 4-7/8" tall.

HAND-HOLE

- Standard hand-hole location is 12" above pole base.
- Poles 18' and above have a 3" x 6" reinforced hand-hole. Shorter poles have 2" x 4" non-reinforced and-hole.

BASE

- Pole base is ASTM-A36 hot-rolled steel plate with a minimum yield strength of 36,000 PSI.
- Two-piece square base cover is optional. Decorative base cover is also available.

ANCHOR BOLTS

- Poles are furnished with anchor bolts featuring zinc-plated double nuts and washers. Galvanized anchor bolts are optional.
- Anchor bolts conform to ASTM F 1554-07a Grade 55 with a minimum yield strength of 55,000 PSI.

GROUND LUG

- Ground lug is standard.

DUPLEX RECEPTACLE

- Weatherproof duplex receptacle is optional.

GROUND FAULT CIRCUIT INTERRUPTER

- Self-testing ground fault circuit interrupter is optional.

FINISHES

- Every pole is provided with the DuraGrip® Protection System and a 5-year limited warranty
- Each shaft is purchased to a stricter straightness tolerance than specified on industry material standards. Shafts with dents, dings, roll marks, or patterns on the exterior surface are rejected. Shafts are stored indoors to prevent corrosion.
- After connecting holes are cut and hand holes and baseplates welded to the shaft, each pole undergoes a thorough shot-peening process, resulting in a near white surface. This procedure removes all dirt and scale and strengthens the surface of by inducing a compressive residual stress that helps prevent cracking and extends the life of the pole.
- After shot-peening, a neutral wash is applied followed by the application of a zirconium treatment that improves powder-coat adhesion and protects from corrosion.
- Next, each pole is coated through electrostatic application of a polyester powder paint in standard WLS bronze or the color approved by the customer. Paint thickness is measured in multiple locations along the pole to ensure specification adherence.
- Finally, the pole is oven baked to form a homogeneous, non-porous surface and wrapped for shipment in a woven fabric sleeve to protect the finish during transit.
- When the top-of-the-line DuraGrip® Plus Protection System is selected, in addition to the DuraGrip® Protection System, a non-porous, automotive-grade corrosion coating is applied to the lower portion of the pole interior, sealing and further protecting it from corrosion. This option extends the limited warranty to 7 years.



ARRA
Funding Compliant



Project Name: _____

Date: _____

Location: _____

Notes: _____

01 REV. 05/19

Specifications subject to change without notice.

RNTS SERIES ROUND NON-TAPERED STEEL

ORDERING INFORMATION SELECT APPROPRIATE CHOICE FROM EACH COLUMN TO FORMULATE ORDER CODE.

Refer to example below.

SERIES	POLE SERIES	MATERIAL	HEIGHT ⁴	MOUNTING CONFIGURATION	POLE FINISH	OPTIONS
RNTS4 4" Diameter Round Non-Tapered Pole RNTS5 5" Diameter Round Non-Tapered Pole	BO Bolt-On Mount - See selection guide for patterns and fixture matches. ¹ B5 5" Traditional Drilling Pattern B3 3" Reduced Drilling Pattern B2 2" Drilling Pattern	S11G 11 Ga. Steel (RNTS5 Only) S10G 10 Ga. Steel (RNTS4 Only) S07G 07 Ga. Steel (RNTS5 Only)	8' 10' 12' 14' 15' 16' 17' 17' 6" 18' 20' 22' 22' 6" 24' 25' 26' 27' 28' 30'	S Single/Parallel D180° Double D90° Double DN90° Double T90° Triple TN120° Triple Q90° Quad N Tenon Mount 4N Tenon Mount (Available with SRPN only. For 4" poles, use 4RPSF below) ² 4N-6 Tenon Mount (RHTS5 only. For 4" pole use RNTS4-SLF)	BRZ Bronze BLK Black PLP Platinum Plus WHT White SVG Satin Verde Green GPT Graphite MSV Metallic Silver BZA Alternate Bronze CC Custom Color	GA Galvanized Anchor Bolts SF Single Flood ⁶ DF Double Flood ⁶ DGP DuraGrip® Plus LAB Less Anchor Bolts OSXX Pole preparation for PMOS Occupancy Sensor ⁷ SBP Special Base Plate
	T - Tenon Mount - See selection guide for tenon and fixture/bracket matches.	Slipfit Use with: • WLS LSL CC, SC & CH mounting styles • WLS HEL, HIL & LXL PT Single mounting styles ² SLF (RNTS4 only) Universal Bracket ³ (No Drilling) - Use with: • WLS LSL UCLS • WLS LSL UCLD180 I Internal Slipfitter, No Drill, No Tenon	Height Restrictions, Consult Pole Selection Chart on opposite page	Standard SF and DF pole preparations are located 3/4 of the height of the pole from the base, except on 20' poles. Maximum height for DSF and DF pole preparations on 20' pole is 13' from the base.		

Example: WLS-RNTS5-B5-S11G-25-D180-BRZ

ACCESSORY ORDERING INFORMATION (Accessories are field installed)			
Description	Order Number	Description	Order Number
4" SRBC Square Base Cover	158450CLR	MH5 - Mounting Hole Plugs for use with 5" traditional drill pattern (1 set of 3 plugs)	132336
5" SRBC Square Base Cover	158451CLR	MH3 - Mounting Hole Plugs for use with 3" traditional drill pattern (1 set of 3 plugs)	681126
4" /5" GBC Decorative Base Cover	483859CLR	BB - Banner Brackets	Consult Factory for EPA calculations
ER2 - Weatherproof Duplex Receptacle (Poles below 18')	122557CLR	PMOS120 - 120V Occupancy Sensor	518030CLR8
ER2 - Weatherproof Duplex Receptacle for Reinforced Hand-hole (Poles 18' and above)	122566CLR	PMOS208/240 - 208, 240V Occupancy Sensor	534239CLR8
GFI - Ground Fault Circuit Interrupter (Poles below 18')	122558CLR	PMOS277 - 277V Occupancy Sensor	518029CLR8
GFI- Ground Fault Circuit Interrupter for Reinforced Hand-hole	122558CLR	PMOS480 - 480V Occupancy Sensor	534240CLR8

FOOTNOTES:

- See Area Light Brackets - 3" Reduced Drill Patter and Area Light Bracket - 5" Traditional Drill Pattern spec sheets
- For HEL, HIL and LXL PT mounting configuration styles, see Tenon Mount (4N) and Slipfit Pole Series (RNTS4-SF).
- Standard flat black pole cap provided. Domed pole cap will ship with SA4 and SA5 HEL, HIL and LXL fixtures, SA LSL fixtures, BK SPT BO, BK MPT BO and UCL brackets.
- Pole height will have +/- 1/2" tolerance.
- For HEL, HIL, and LXL D180 or other mounting configuration styles using BK SPT BO and BK MPT BO accessories, see chart on Bolt-on Mount RNTS4-B3 / RNTS5-B3 Dr
- See Flood Lighting Brackets section for choice of FBO brackets.
- Order PMOS separately. Change "XX" to indicate height and side of pole location for pole preparation. EX: 0518A indicates preparation is to be 18ft. up from pole base on side A. Optimal distance from ground to sensor is 20ft.
- OSXX option required. Not for use with Metal Halide fixtures.

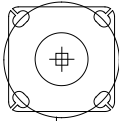
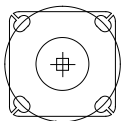
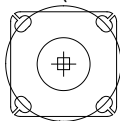


1919 Windsor Place
 Fort Worth, TX 76110
 800.622.8711

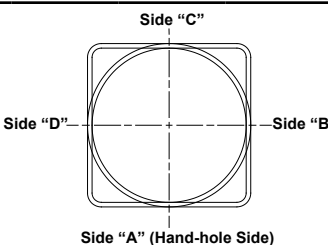
www.wslighting.com

Project Name: _____
 Date: _____
 Location: _____
 Notes: _____

RNTS SERIES ROUND NON-TAPERED STEEL

BOLT CIRCLE			
	4" (102mm) Round 10-1/8" (257mm) sq.  11" (279mm) Dia. Bolt Circle	5" (127mm) Round 10-1/8" (257mm) sq.  11" (279mm) Dia. Bolt Circle	5" (127mm) Round 10-1/8" (257mm) sq.  11" (279mm) Dia. Bolt Circle
	L	L	M
Bolt Circle	Slotted 11" (279mm)	Slotted 11" (279mm)	Slotted 11" (279mm)
Anchor Bolt Size	3/4" x 30" (19mm x 762mm)	3/4" x 30" (19mm x 762mm)	1" x 36" (25mm x 914mm)
Anchor Bolt Projection	3-1/4" (83mm)	3-1/4" (83mm)	4" (102mm)
Base Plate Opening for Wireway Entry	3-5/8" (92mm)	4-3/4" (121mm)	4-5/8" (117mm)
Base Plate Dimensions	10-1/8" sq. x 3/4" thk. (257mm x 19mm)	10-1/8" sq. x 3/4" thk. (257mm x 19mm)	10-1/8" sq. x 1" thk. (257mm x 25mm)

Note: Base plate illustrations may change without notice. Do not use for setting anchor bolts. Consult factory for the base plate templates.

DRILLING LOCATIONS				
				
Sides	A	B	C	D
Hand-Hole	X			
Single	X			
D180°		X		X
D90°	X			X
T90°	X	X		X
TN120**	X			
Q90°	X	X	X	X
Single FBO	X			
Double FBO		X		X
* Other two locations will be 120o to the left and right side of A.				
Note: Consult factory for custom variations. Standard SF and DF pole preparations are located 3/4 of the height of the pole from the base, unless otherwise specified.				

SHIPPING WEIGHTS - Steel Round Poles	
4"(102mm) Dia. 10 Ga. is approximately	6.0 lbs./ft.
5"(127mm) Dia. 11 Ga. is approximately	7.0 lbs./ft.
5"(127mm) Dia. 07 Ga. is approximately	10.0 lbs./ft.
Anchor Bolts (3/4" x 30")(19mm x 762mm)	15 lbs.(7kg)/set
Anchor Bolts (1" x 36")(125mm x 914mm)	30 lbs.(14kg)/set



1919 Windsor Place
Fort Worth, TX 76110
800.622.8711
www.wslighting.com

Project Name: _____
Date: _____
Location: _____
Notes: _____

RNTS SERIES ROUND NON-TAPERED STEEL

Use **ONLY** with Wind Speed Map for ASCE7-10

STEEL ROUND POLES - ASCE7-10													
POLE	Mtg. Height Length (ft)	Wall Thick (GA)	Bolt Circle Dia. (in)	Bolt Circle Anchor Bolt Dia. (in)	110 MPH	115 MPH	120 MPH	130 MPH	140 MPH	150 MPH	160 MPH	170 MPH	180 MPH
4" x 10GA X 14'	14	10	11	0.75	7.7	5.2	4.7	3.9	3.2	2.7	2.3	2.0	1.7
4" x 10GA x 16'	16	10	11	0.75	4.3	3.7	3.2	2.6	2.1	1.8	1.4	1.2	1.0
4" x 10GA x 18'	18	10	11	0.75	7.7	6.8	6.0	5.0	4.2	3.5	3.0	2.5	2.2
4" x 10GA x 20'	20	10	11	0.75	6.0	5.2	4.6	3.7	3.1	2.5	2.1	1.8	1.5
4" x 10GA x 22'	22	10	11	0.75	4.6	3.9	3.3	2.6	2.1	1.7	1.4	1.1	0.9
4" x 10GA x 24'	24	10	11	0.75	3.4	2.7	2.2	1.7	1.3	1.0	0.7	0.5	0.0
5" x 11GA x 16'	16	11	11	0.75	8.7	7.9	7.2	6.0	5.0	4.3	3.7	3.2	2.8
5" x 11GA x 18'	18	11	11	0.75	12.2	11.1	10.1	8.5	7.2	6.1	5.3	4.6	4.0
5" x 11GA x 20'	20	11	11	0.75	10.0	9.1	8.2	6.8	5.7	4.9	4.2	3.6	3.1
5" x 11GA x 22'	22	11	11	0.75	8.1	7.3	6.6	5.5	4.5	3.8	3.2	2.8	2.4
5" x 11GA x 24'	24	11	11	0.75	6.5	5.9	5.3	4.3	3.5	2.9	2.4	2.0	1.7
5" x 11GA x 26'	26	11	11	1.00	5.2	4.6	4.1	3.2	2.6	2.1	1.7	1.4	1.1
5" x 7GA x 18'	18	7	11	1.00	19.7	17.9	16.4	13.8	11.7	10.1	8.8	7.7	6.8
5" x 7GA x 20'	20	7	11	1.00	16.5	15.0	13.7	11.5	9.8	8.4	7.3	6.3	5.6
5" x 7GA x 22'	22	7	11	1.00	14.0	12.7	11.5	9.6	8.1	7.0	6.0	5.2	4.6
5" x 7GA x 24'	24	7	11	1.00	11.8	10.6	9.6	8.0	6.8	5.7	4.9	4.2	3.7
5" x 7GA x 26'	26	7	11	1.00	9.9	8.9	8.0	6.7	5.6	4.7	4.0	3.4	2.9
5" x 7GA x 28'	28	7	11	1.00	8.3	7.4	6.7	5.4	4.5	3.7	3.1	2.7	2.3
5" x 7GA x 30'	30	7	11	1.00	6.8	6.1	5.4	4.4	3.6	2.9	2.4	2.0	1.7

All WLS Lighting poles are guaranteed to meet the EPA requirements listed. WLS Lighting is not responsible if a pole order has a lower EPA rating than the indicated wind-loading zone where the pole will be located.

CAUTION: This guarantee does not apply if the pole/bracket/fixture combination is used to support any other items such as flags, pennants, or signs, which would add stress to the pole. WLS Lighting cannot accept responsibility for harm or damage caused in these situations.



1919 Windsor Place
Fort Worth, TX 76110
800.622.8711

www.wslighting.com

Project Name: _____

Date: _____

Location: _____

Notes: _____

Specifications subject to change without notice.