

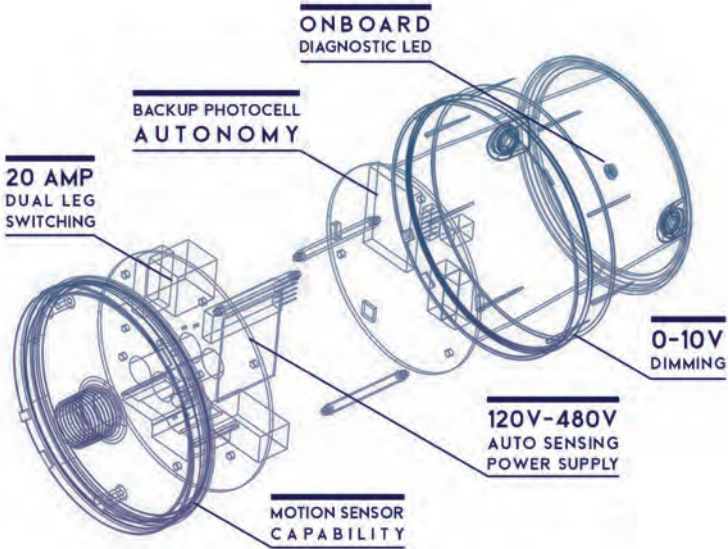
netLiNK
CONTROLS

NETLINK CONTROLS IS THE PREMIER TWO-WAY WIRELESS OUTDOOR LIGHTING CONTROL AND MANAGEMENT SYSTEM ON THE MARKET.

**REPORT.
CONTROL.
MAINTAIN.**

netLiNK Controls gives you complete visibility and real-time data to managed your site's lighting. Our revenue-grade metering provides actual savings and analytics available through our custom dashboard. Our netLiNK online portal allows you to set your property's lighting schedule anywhere, anytime remotely.

With 120-480 VAC power to each node, netLiNK can take control of the electrical system without running any new circuits. The netLiNK system can be installed in new or existing LED lighting projects.



COMMUNICATIONS & SCHEDULING

The netLiNK Base Station sends and receives commands via a secure 4G cellular connection between the cloud-based server and wireless nodes. netLiNK includes pre-loaded energy management schedules right out of the box, that can be custom tailored at any time during and after install.

0-10V DIMMING

When dimming LED site lights, you gain efficiency and extend the life of your lights. Many owners are powering their site lights at wattages of 70-80% and still maintaining bright light levels while not noticing any differences when powering LED site lights at 100%. netLiNK Controls allows you to have total control of the desired light levels for peak shopping, and for late night/early morning security lighting.

Proudly designed, engineered, and manufactured in the USA.

BENEFITS

- Qualifies for energy rebates
- Reduce energy consumption in non-peak hours
- Retrofits into existing electrical systems
- Tenant retention with improved light levels
- Reducing operating costs, boosting R.O.I.

FEATURES

- Connect to netLiNK portal from anywhere
- 0-10 V Dimming
- Revenue Grade Metering
- Back-up Photocell Autonomy
- Auxiliary Input for Motion Control
- Ambient Temperature Sensors
- Historical data and energy consumption reports
- Photocell override for inclement weather
- Individual pole control
- Outage Alert Notifications
- Continuous System Monitoring (CSM)
- Nodes auto-sense astronomical time changes
- Control options for exterior building lighting/signage

Web Portal Interface & Dashboard

Using Microsoft's Azure™ cloud, netLiNK hosts a secure web portal to record historical information and provide a real-time user interface. Highly interactive and user friendly, the software provides powerful management and reporting tools. It allows users to control different end points individually, by groups/schedules, and receive notifications on devices operating out of specification. Historical reporting, energy savings, and fixture audit reports are just a few of the "on demand" reports available with netLiNK.

Malls, retail centers, and auto dealerships can manage and monitor individual poles, groups of poles, users, or scheduled actions with ease. The web portal offers full scalability for a virtually unlimited number of fixtures and integrating all the processes and correlative functions needed for a state-of-the-art lighting management system.

Our secure web-based platform allows you to see:

- Lighting Summaries
- Pole Conditions
- Savings Charts
- Scheduling Calendar
- Site's Vitals

Approvals

